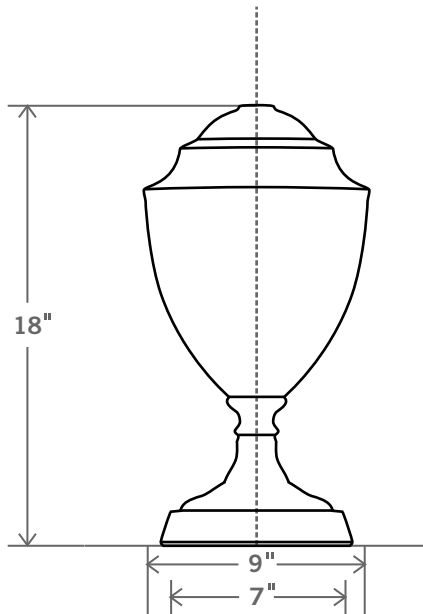



Knife Box
STYLE NO. G61



Glaze Shown: GWS
Available in Sizes: L



SHADE SIZES IN INCHES: Lamps come in off-white hard-back linen or as specially ordered from Stephen Gerould.	CONE 				EUROPEAN EMPIRE 					
		TOP	BOTTOM	HEIGHT		TOP	BOTTOM	HEIGHT		
	LAMP SIZE	M	-	-	-	LAMP SIZE	M	-	-	-
		L	-	-	-		L	15	19	13

- Due to natural material variations sizes shown are approximate only.
- Special sizes will be considered on a custom basis.
- Lamp style numbers beginning with "G" are available in "G" glazes only.
- Custom shades are available upon request and will be priced accordingly.