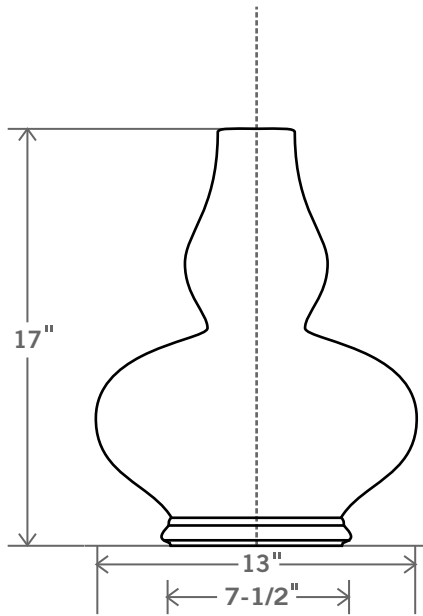


**Section Vase**  
**STYLE NO. G42**



**Glaze Shown: GAQ**  
**Available in Sizes: L**



SHADE SIZES IN INCHES: Lamps come in off-white hard-back linen or as specially ordered from Stephen Gerould.	CONE 				EUROPEAN EMPIRE 				
		TOP	BOTTOM	HEIGHT		TOP	BOTTOM	HEIGHT	
		LAMP SIZE M	-	-	-	LAMP SIZE M	-	-	-
		LAMP SIZE L	-	-	-	LAMP SIZE L	16	20	13-1/2

- Lamps with shade measure approx. 27" - 30" in height.
- Special sizes will be considered on a custom basis.
- Lamp style numbers beginning with "G" are available in "G" glazes only.
- Custom shades are available upon request and will be priced accordingly.